

Remote Controls



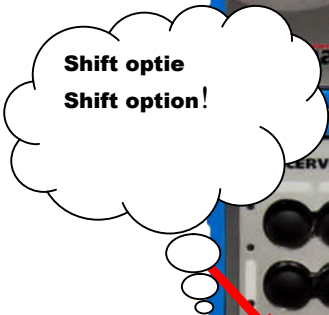
PTO-202

IP67
3 AAA alkaline batteries
119x133x36mm



PTO-204

IP67
3 AAA alkaline batteries
119x133x36mm



PTO-206 **PTO-206S**

IP67
3 AAA alkaline batteries
119x133x36mm



Optional Display

00-218

16 functies On/Off / 16 fonctions On/Off
IP67
4 AA alkaline batteries
LCD Display
231x79x31mm

PG-214

PG-210-J

15 functies / 15 fonctions
214 → 14 digitale / 1 proportioneel met On/Off
214 → 14 digital / 1 proportionnel avec On/Off
210-J → 8 digitale met dual axis joystick en On/Off
210-J → 8 digital avec dual axis joystick et On/Off
IP67
4 AA alkaline batteries
Cable Back-Up option
Joystick option
231x133x146mm



PG-214



PG-210-J



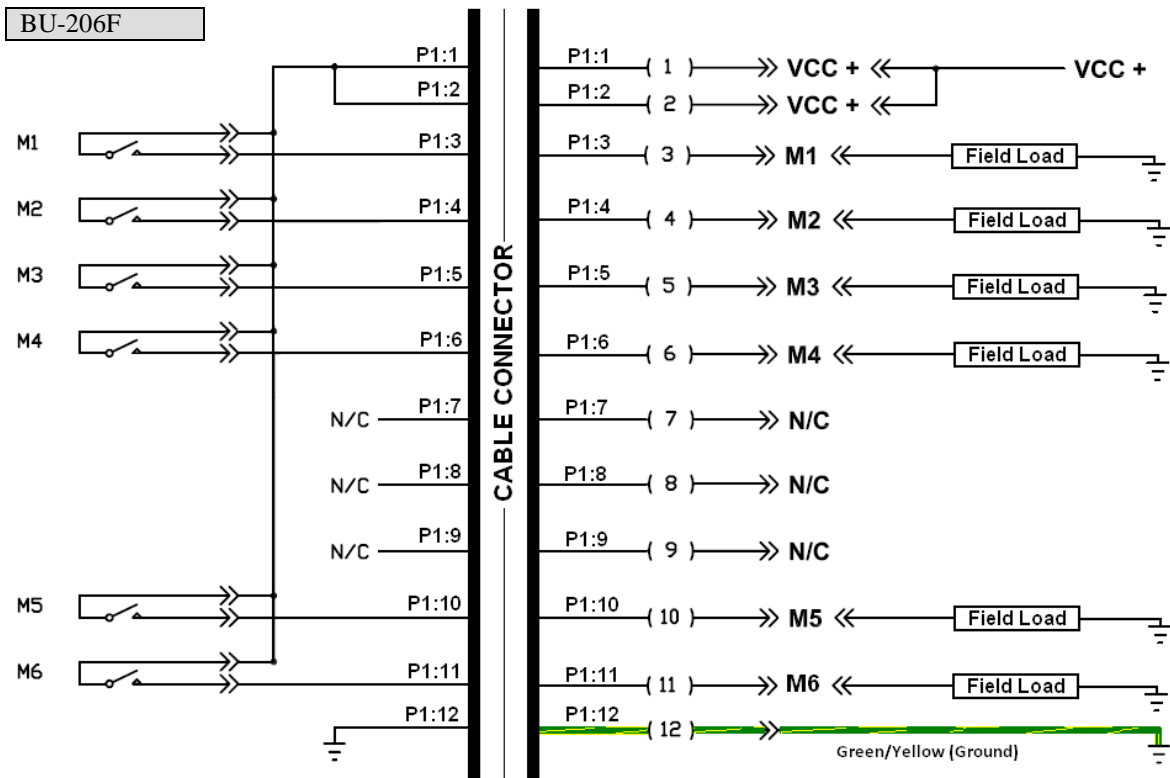


9-18V Ontvanger / Récepteur



BU-206F-INT-12V

- Six function base unit
- Six inputs/outputs
- IP67 environmental rating
- Powered by 9-18V DC
- Antenna Internal
- Outputs PWM or switch to ground inputs
- Momentary, latching, interlocked outputs
- Power, Transmit/ Receive, Health and Output LEDs
- 119x113x36mm

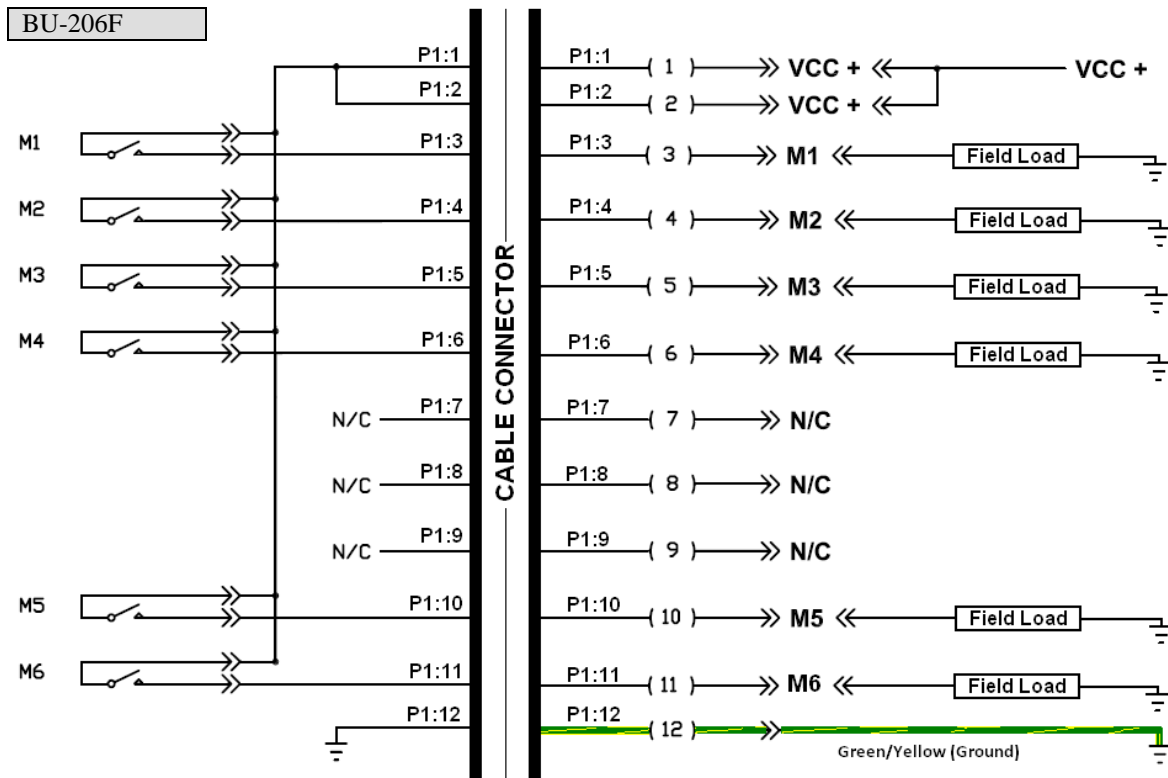


18-32V Ontvanger / Récepteur



BU-206F-INT-24V

- Six function base unit**
- Six inputs/outputs**
- IP67 environmental rating**
- Powered by 18-36V DC**
- Antenna Internal**
- Outputs PWM or switch to ground inputs**
- Momentary, latching, interlocked outputs**
- Power, Transmit/ Receive, Health and Output LEDs**
- 119x113x36mm**

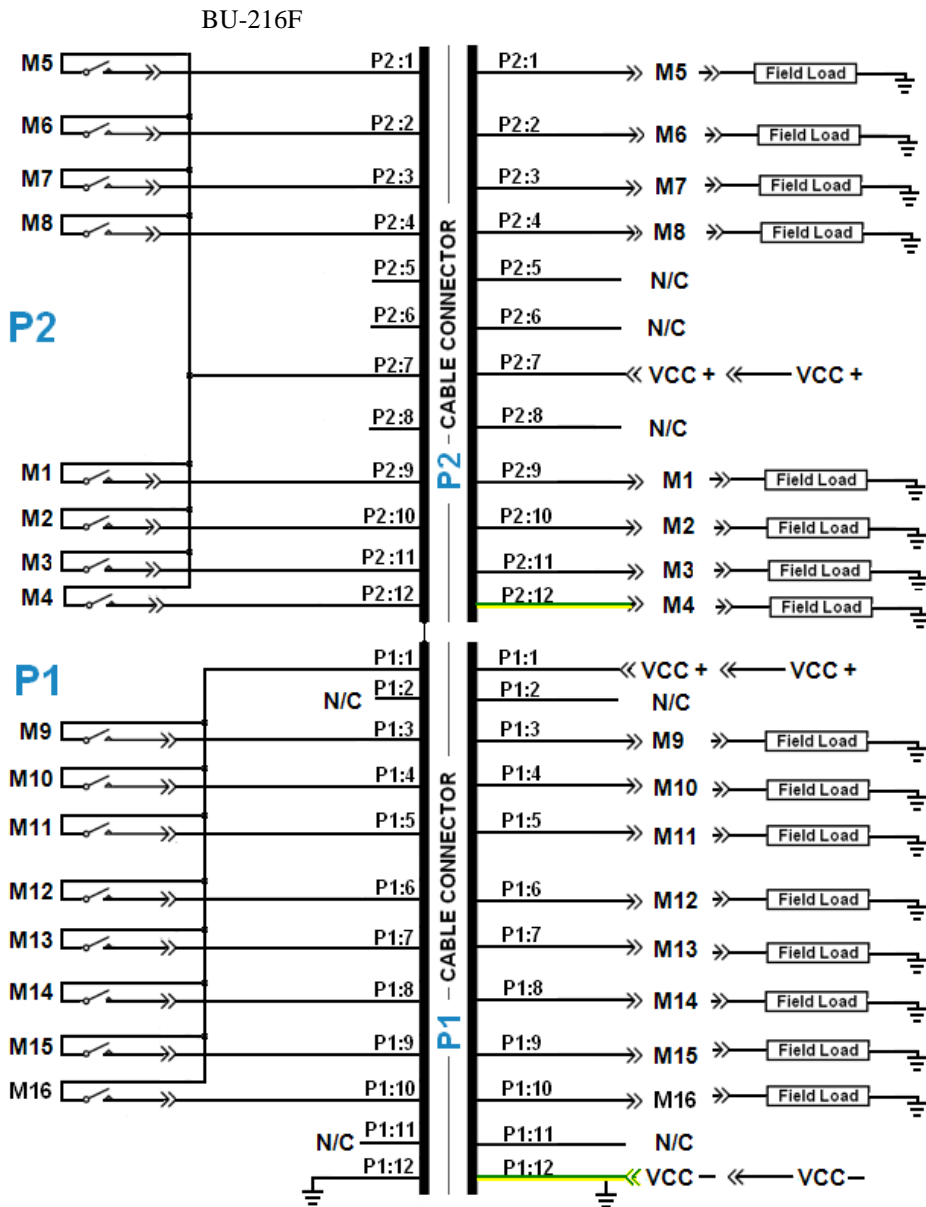


7-32V Ontvanger / Récepteur

BU-216F-INT-24V



- Sixteen function base unit
- Sixteen inputs/outputs
- IP67 environmental rating
- Powered by 7-32V DC
- Antenna Internal
- Outputs PWM or switch to ground inputs
- Momentary, latching, interlocked outputs
- Power, Transmit/ Receive, Health and Output LEDs
- 119x113x36mm



Aansluitkabels / Cables de connection

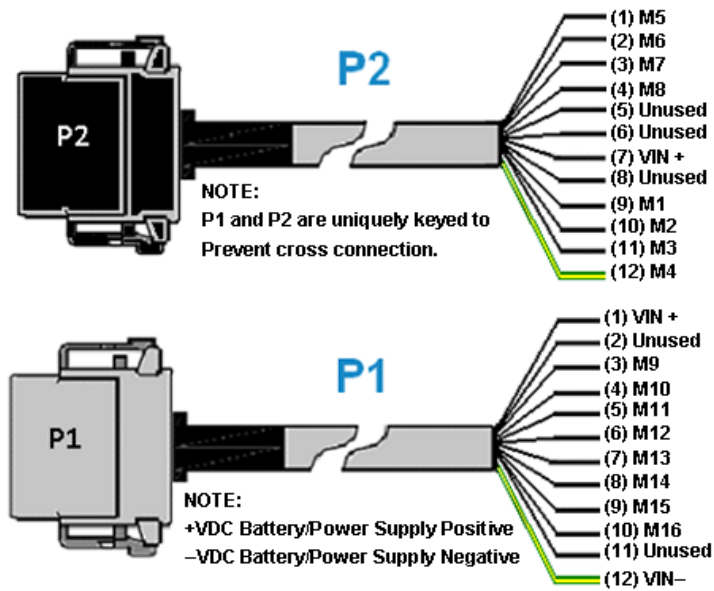
HN-1001

HN-1002

813mm in length

HN-1001 required for 206F and 216F models

HN-1002 required for 216F models



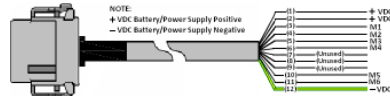


Complete Systems 9-18VDC

Part Number:

SmaRT202F-12V

Includes

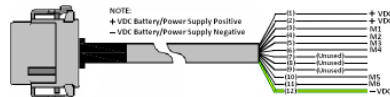


**PTO-202
BU-206F-INT-12V
HN-1001**

Part Number:

SmaRT204F-12V

Includes

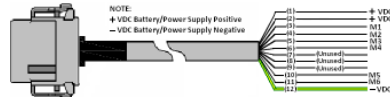


**PTO-204
BU-206F-INT-12V
HN-1001**

Part Number:

SmaRT206F-12V

Includes

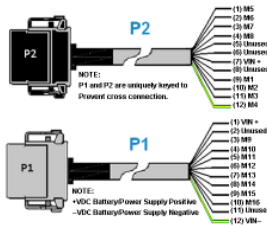


**PTO-206
BU-206F-INT-12V
HN-1001**

Part Number:

SmaRT206FS-12V

Includes



**PTO-206S
BU-216F-INT-12V
HN-1001
HN-1002**

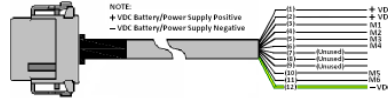


Complete Systems 18-32VDC

Part Number:

SmaRT202F-24V

Includes

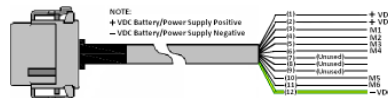


**PTO-202
BU-206F-INT-24V
HN-1001**

Part Number:

SmaRT204F-24V

Includes

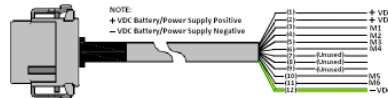


**PTO-204
BU-206F-INT-24V
HN-1001**

Part Number:

SmaRT206F-24V

Includes

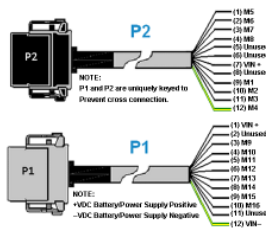


**PTO-206
BU-206F-INT-24V
HN-1001**

Part Number:

SmaRT206FS-24V

Includes



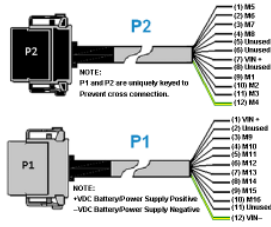
**PTO-206S
BU-216F-INT-24V
HN-1001
HN-1002**

Complete Systems

Part Number:



SmaRT216PG-24V



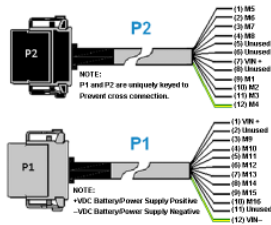
Includes

**PG-214
BU-216F-INT-24V
HN-1001
HN-1002**

Part Number:



SmaRT210JPG-24V



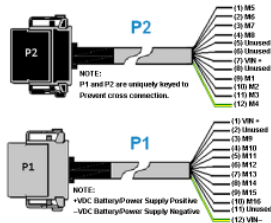
Includes

**PG-210-J
BU-216F-INT-24V
HN-1001
HN-1002**

Part Number:



SmaRT216CBLV-24V



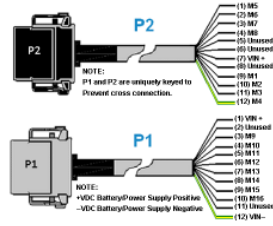
Includes

**CB-LV900
BU-216F-INT-24V
HN-1001
HN-1002**



Part Number:

SmaRT218-24V



Includes
OO-218
BU-216F-INT-24V
HN-1001
HN-1002

Provides 18 digital outputs