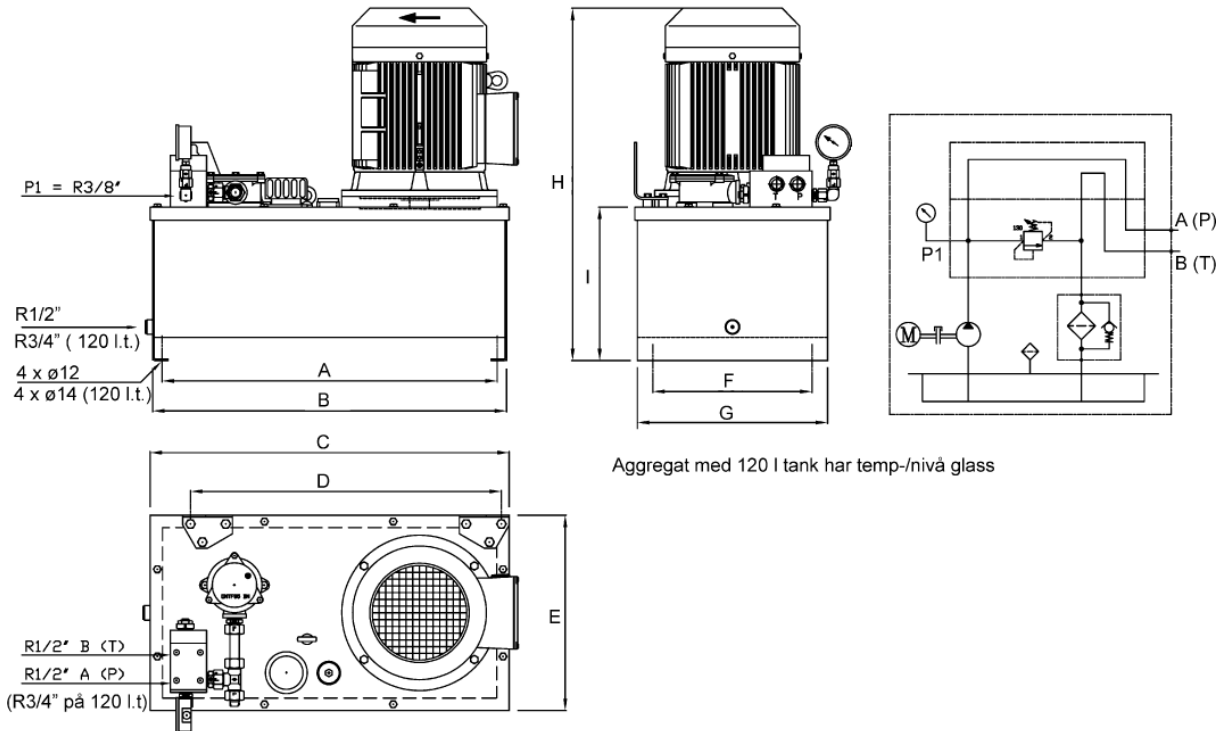


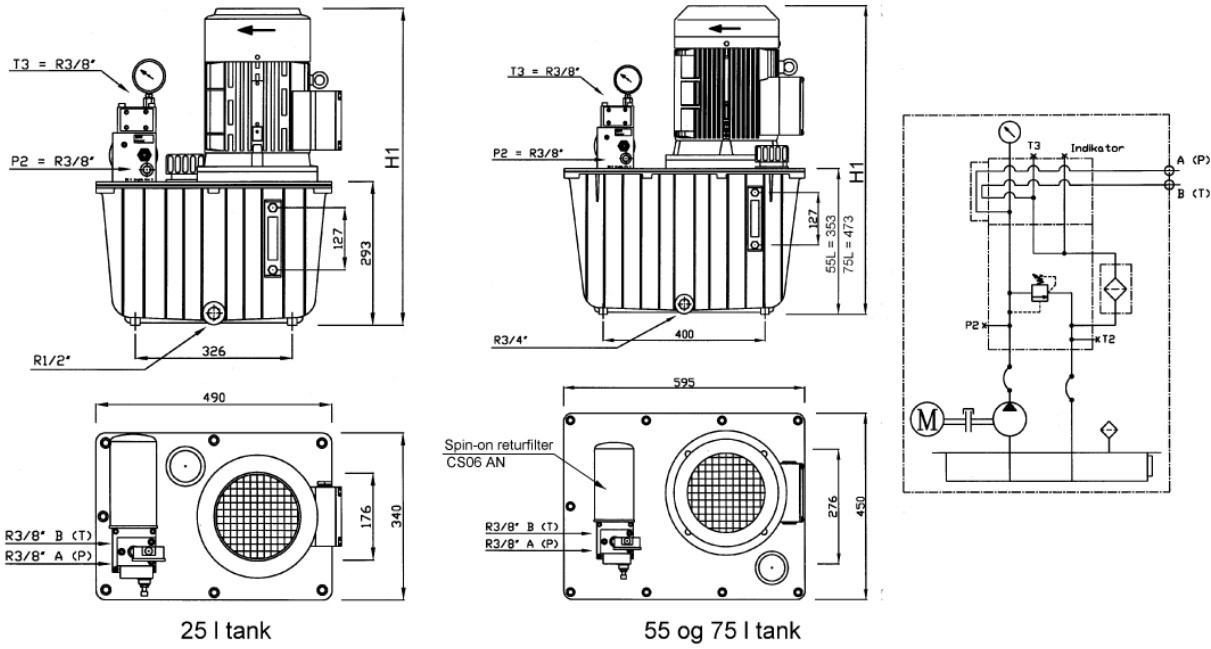
Standard unit with steel tank

4.0, 5.5, 7.5 en 11.0 kW



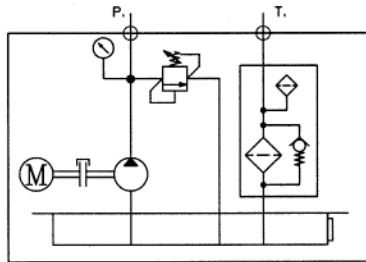
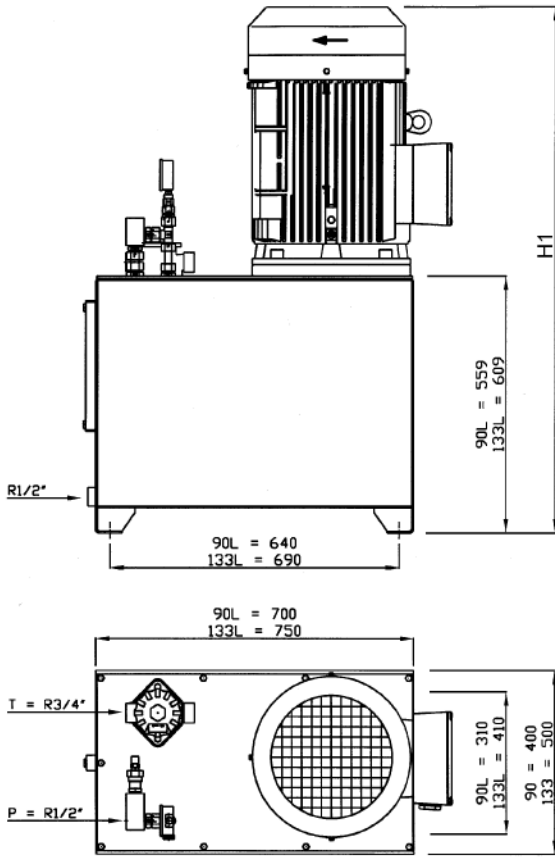
l/min bij 1450 U/min	Tankinhoud l	Continue		Intermitterend		Pompgegevens	
		Electromotor KW	Druk bar	Electromotor kw	Druk bar	Max.druk bar	cm ³ /U
15	35	4.0	130	4.8	150	250	Gr.2/11
21	55	5.5	130	6.6	155	250	Gr.2/15
21	55	7.5	175	9.0	210	250	Gr.2/15
28	75	11	200	13.0	230	250	Gr.2/20

Standard unit with aluminium tank



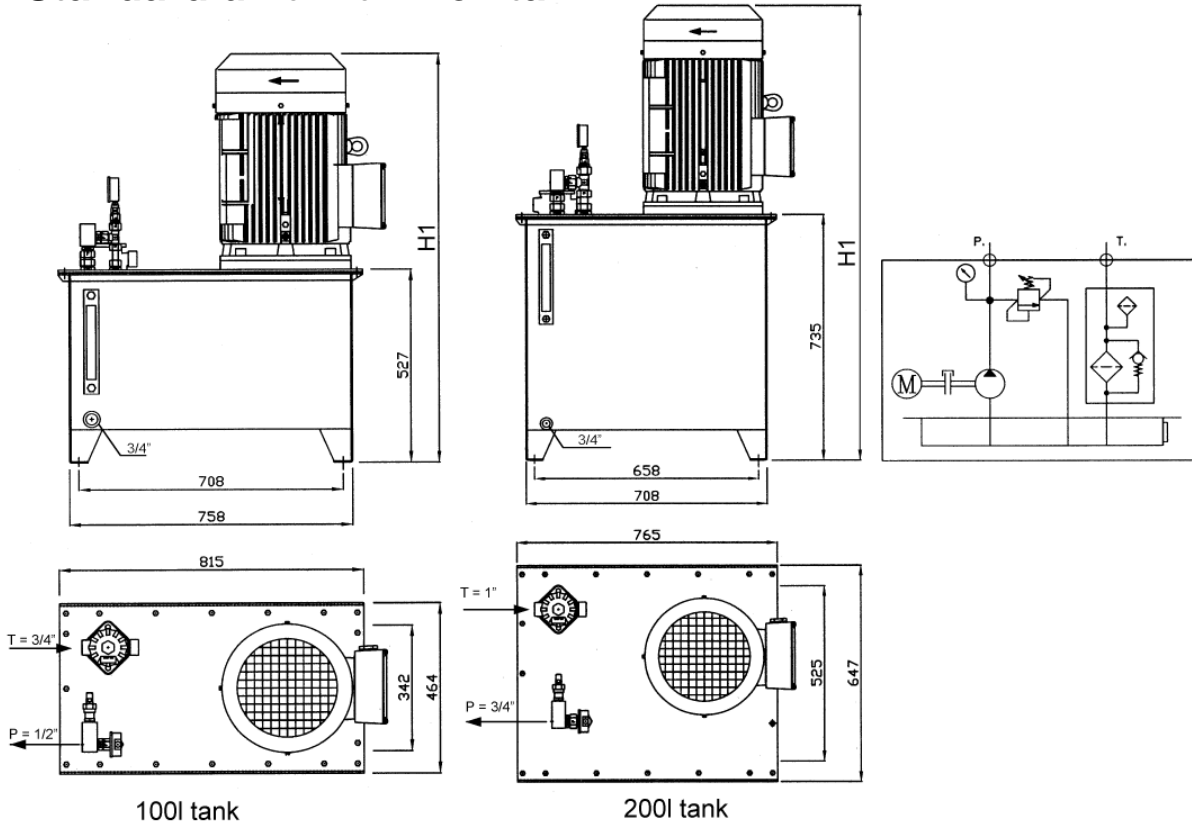
l/min bij 1450 U/min	Tankinhoud l	Continue		Intermitterend		Pompgegevens		H1 mm
		Electromotor KW	Druk bar	Electromotor kw	Druk bar	Max.druk bar	cm ³ /U	
5.6	25	2.2	180	2.64	215	210	2/4.5	637
8.2	25	2.2	125	2.64	150	210	2/6.5	637
8.2	25	3.0	165	3.6	195	210	2/6.5	637
11.0	25	3.0	130	3.6	155	210	2/8.5	637
11.0	25	4.0	170	4.8	205	210	2/8.5	647
11	55	4.0	170	4.8	205	210	2/8.5	707
14	55	4.0	130	4.8	155	210	2/11	707
14	55	5.5	175	6.6	210	210	2/11	748
20	55	5.5	130	6.6	155	210	2/15	748
20	55	7.5	175	9.1	215	210	2/15	748
25	55	7.5	140	9.1	170	190	2/19	748
20	75	5.5	130	6.6	155	210	2/15	868
20	75	7.5	175	9.1	215	210	2/15	868
25	75	7.5	140	9.1	170	190	2/19	868
29	75	7.5	120	9.1	145	190	2/22	868

Standard unit with steel tank 90 and 130 I



l/min bij 1450 U/min	Tankinhoud l	Kont.		Int.		Pompgegevens		H1 mm
		Electromotor KW	Druk bar	Electromotor KW	Druk bar	Max.Druk bar	Gr./cm ³	
30	90	11.0	170	13.0	200	221	2/23	1062
34	90	11.0	150	13.0	175	170	2/26	1062
37	90	11.0	140	13.0	170	220	3/27	1062
30	90	15.0	230	18.0	275	276	3/23	1062
37	90	15.0	190	18.0	230	220	3/27	1062
42	90	15.0	170	18.0	205	220	3/31	1062
44	90	18.5	210	22.0	240	276	3/33	1146
42	130	15.0	170	18.0	205	220	3/31	1112
44	130	18.5	210	22.0	240	276	3/33	1196
50	130	18.5	170	22.0	205	220	3/38	1196
59	130	18.5	145	22.0	175	200	3/45	1196
59	130	22.0	170	26.0	205	200	3/45	1234
70	130	22.0	145	26.0	175	200	3/53	1234

Standard unit with inox tank



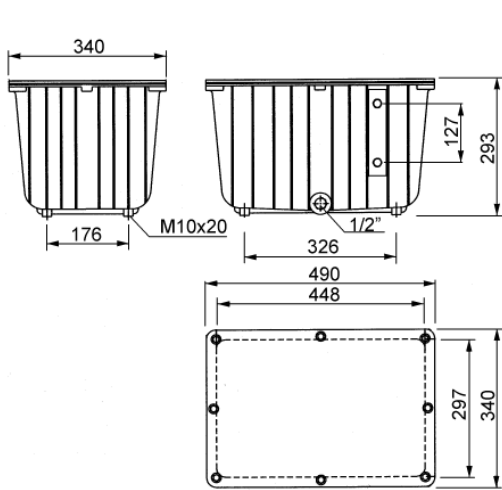
100l tank

200l tank

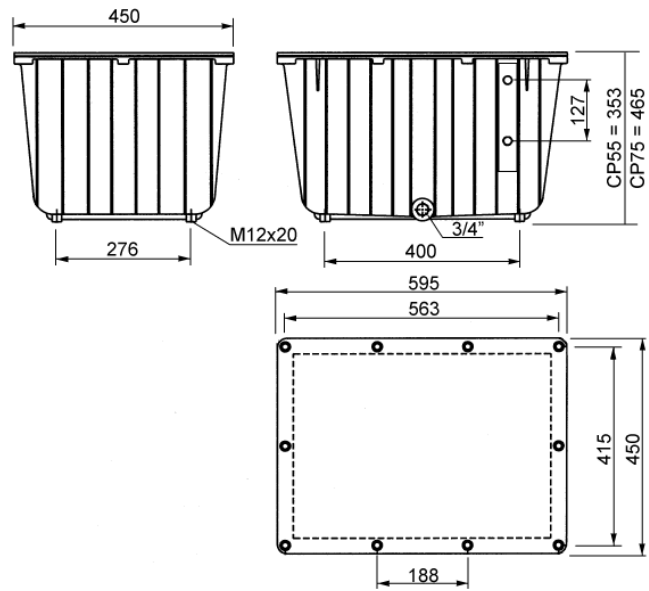
l/min bij 1450 U/min	Tankinhoud l	Kont.		Int.		Pompgegevens		H1 mm
		Electromotor KW	Druk bar	Electromotor kw	Druk bar	Max.druk bar	cm ³ /U	
26	100	11.0	200	13.0	240	276	Gr.2/19	1030
31	100	15.0	230	18.0	276	276	Gr.3/23	1030
37	100	11.0	140	13.0	170	220	Gr.3/27	1030
37	100	15.0	190	18.0	230	220	Gr.3/27	1030
38	100	18.5	230	22.0	276	276	Gr.3/28	1115
43	100	15.0	170	18.0	205	220	Gr.3/31	1030
45	100	22.0	235	26.0	276	276	Gr.3/33	1152
52	100	18.5	170	22.0	205	220	Gr.3/38	1115
52	100	22.0	200	26.0	240	276	Gr.3/38	1152
49	200	22.0	215	26.0	255	276	G20/36	1365
52	200	18.5	170	22.0	205	220	Gr.3/38	1325
52	200	22.0	200	26.0	240	276	Gr.3/38	1365
59	200	30.0	245	34.0	276	276	G20/43	1430
62	200	22.0	170	26.0	205	200	Gr.3/45	1365
73	200	22.0	145	26.0	175	200	Gr.3/53	1365

Oiltanks

Aluminium CP



CP25



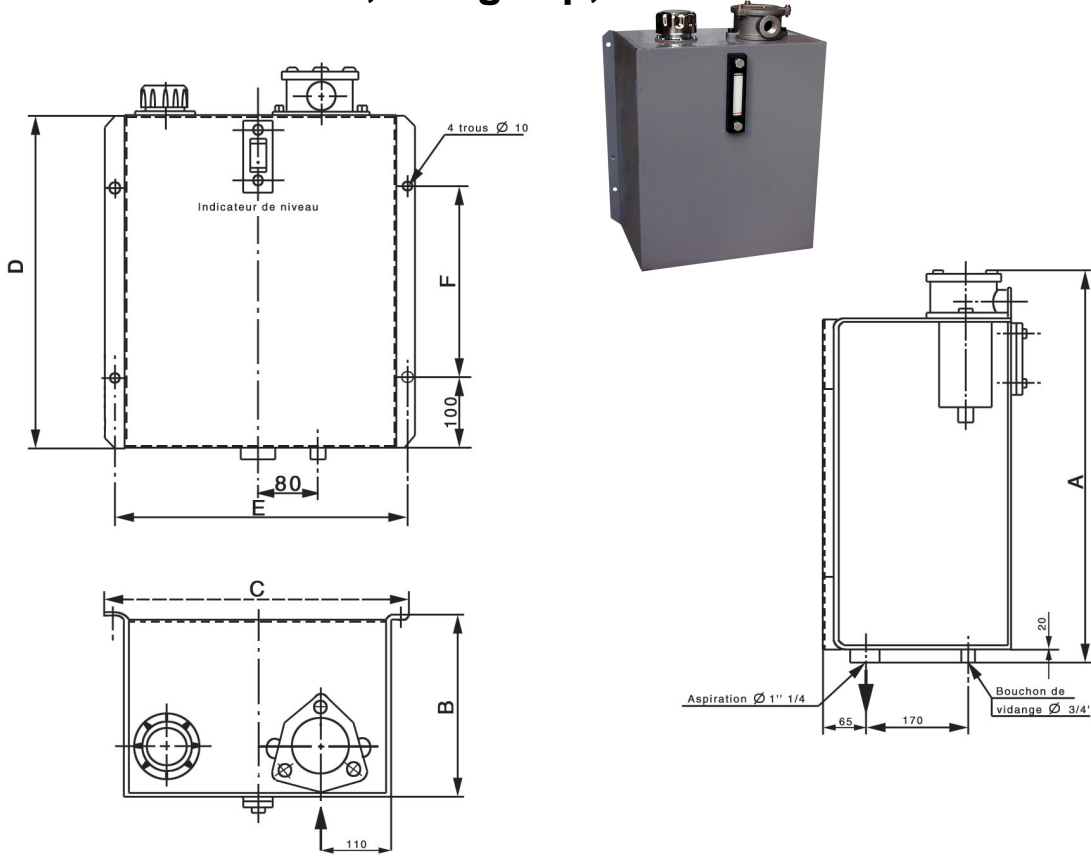
CP55 og CP75

Type	Inhoud l
CP 25M-LG	25
CP 55M	55
CP 75M	75

Type
GCP25
GS55-75

Voor tank type	Materiaal
CP25M	Staal
CP55-CP75	Staal

Closed tank with filter, filling cap,...



			A	B	C	D	E	F	Kg	Ø Asp. Gaz	FILTRE DEBIT PASS Litres/Min.
			mm	mm	mm	mm	mm	mm			
RM010		10	440	170	220	365	203	200	6	3/4"	30
RM040		40	560	260	430	470	405	270	20	1"1/4	60
RM020		20	480	190	305	400	290	200	8	1/2"	30
RM075		75	690	300	500	600	475	400	26	1"1/4	180
RM100		100	690	350	650	600	625	400	30	1"1/4	180
RM150		150	910	350	700	800	670	600	38	1"1/4	180