

Accumulatoren

Accumulators
Accumulateurs

Accumulatoren serie HB

Hydropneumatic accumulator bladder-type HB series
Accumulateurs à vessie série HB



| Part n° | THREAD | MAX. FLOW (l/min) | MAX. PRESSURE (bar) | NITROGEN VOLUME | € |
|---------------|-----------|-------------------|---------------------|-----------------|-----------------|
| HB 2.5 | 1"1/4 BSP | 220 | 350 | 2,5 | 950,99 |
| HB 4.5 | 1"1/4 BSP | 400 | 350 | 4 | 1.025,78 |
| HB 6 | 1"1/4 BSP | 350 | 350 | 6 | 1.260,86 |
| HB 10 | 1"1/4 BSP | 300 | 350 | 10 | 1.405,11 |
| HB 20 | 2" BSP | 600 | 330 | 18,5 | 1.864,83 |
| HB 25 | 2" BSP | 570 | 330 | 24,9 | 2.147,73 |
| HB 35 | 2" BSP | 540 | 330 | 33,5 | 2.511,03 |
| HB 50 | 2" BSP | 500 | 330 | 49 | 3.200,48 |

Accumulatoren serie HTR

Hydropneumatic accumulator bladder-type HTR series
Accumulateurs à vessie série HTR



| Part n° | THREAD | MAX. FLOW (l/min) | MAX. PRESSURE (bar) | NITROGEN VOLUME | € |
|------------------------|-----------|-------------------|---------------------|-----------------|-----------------|
| HTR 0.35 | M18X1.5 | 45 | 250 | 0,35 | 109,71 |
| HTR 0.7 | M18X1.5 | 40 | 250 | 0,75 | 126,85 |
| HTR 0.7-10BAR * | M18X1.5 | 40 | 250 | 0,75 | 126,85 |
| HTR 1.5 | M18X1.5 | 40 | 250 | 1,5 | 194,29 |
| HTR 4.5 | 1"1/4 BSP | 400 | 210 | 4,5 | 742,88 |
| HTR 10 | 1"1/4 BSP | 300 | 210 | 10 | 1.121,95 |

Vanaf HTR 1.5 foto 1. HTR4.5 en 10 foto 2. / Up to HTR 1.5 photo 1. HTR4.5 & 10 photo 2. / Jusqu'à HTR 1.5 photo 1. HTR4.5 et 10 photo 2.



Accumulatoren met membraam serie HST

Diaphragm type hydropneumatic accumulator HST series
Accumulateurs à membrane série HST



| Part n° | THREAD | MAX. FLOW (l/min) | MAX. PRESSURE (bar) | NITROGEN VOLUME | € |
|---------------------|---------|-------------------|---------------------|-----------------|---------------|
| HST 0.05 | M18x1,5 | 35 | 300 | 0,05 | 91,59 |
| HST 0.1 | M18X1.5 | 45 | 300 | 0,12 | 109,40 |
| HST 0.1-10 * | M18X1.5 | 45 | 300 | 0,12 | 109,40 |
| HST 0.35 | M18X1.5 | 50 | 300 | 0,35 | 112,02 |
| HST 0.5 | M18X1.5 | 60 | 300 | 0,5 | 153,16 |
| HST 0.7 | M18x1.5 | 55 | 300 | 0,7 | 139,42 |
| HST 1.3 | M18X1.5 | 55 | 300 | 1,3 | 233,16 |
| HST 1.5 | M18X1.5 | 55 | 300 | 1,5 | 256,02 |
| HST 2.3 | M18X1.5 | 55 | 300 | 2,3 | 360,01 |

Vanaf HST1.3 foto 1. HST1.5 & 2.3 foto 2. / Up to HST1.3 photo 1. HST1.5 & 2.3 photo 2. / Jusqu'à HST1.3 photo 1. HST1.5 & 2.3 photo 2.



Accumulatoren

Accumulators
Accumulateurs

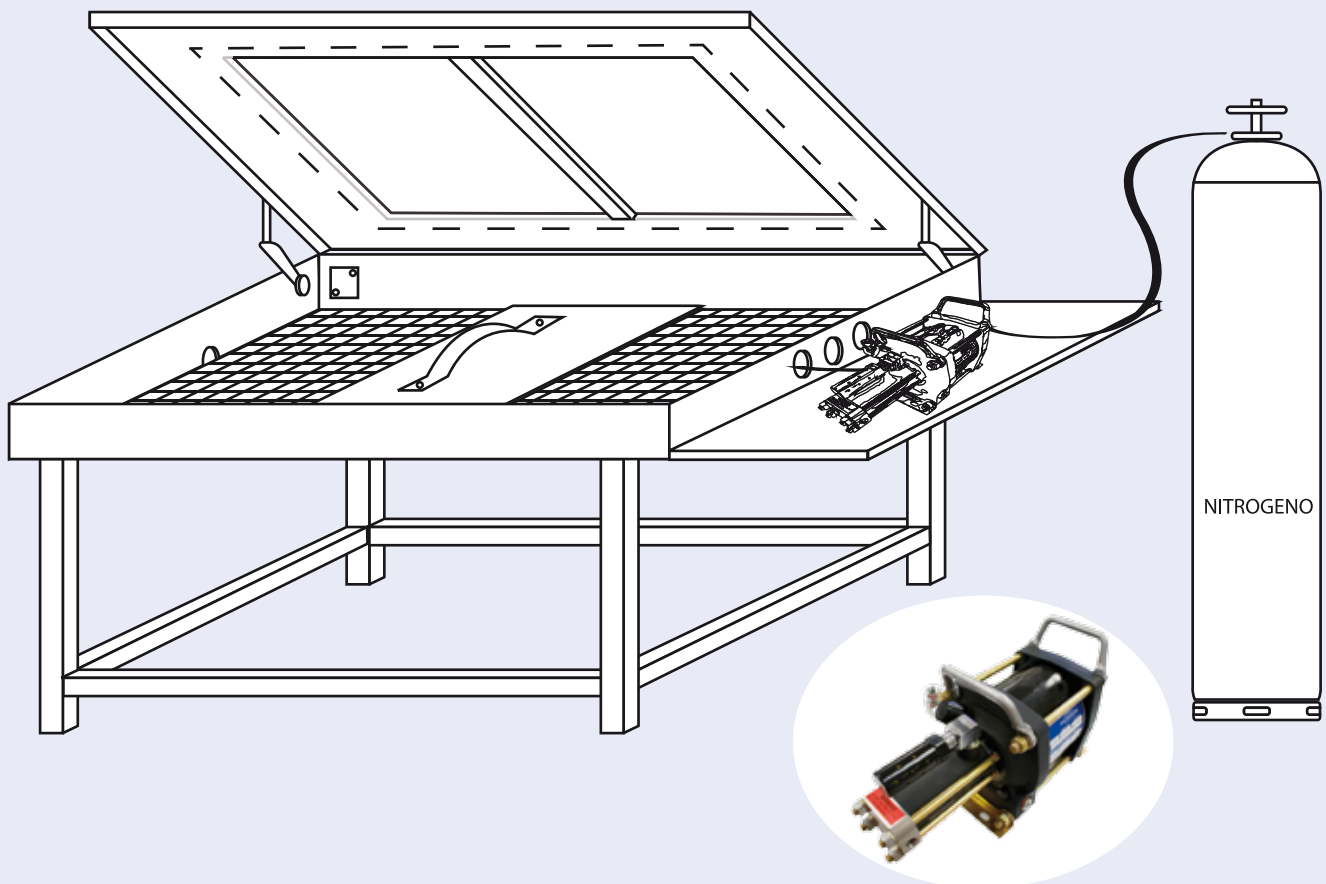
Accumulatoren met membraam serie H, niet herstelbaar



NonHydropneumatic accumulator diaphragm-type H series
Accumulateurs à membrane série H pas réparable

| Part n° | THREAD | MAX. FLOW (l/min) | MAX. PRESSURE (bar) | NITROGEN VOLUME | € |
|---------------|----------|-------------------|---------------------|-----------------|---------------|
| H100R | M18x1,5 | 40 | 250 | 0,15 | 104,31 |
| H350R | M18x1,5 | 35 | 250 | 0,35 | 106,85 |
| H500R | M18x1,5 | 50 | 250 | 0,45 | 110,92 |
| H700R | M18x1,5 | 40 | 250 | 0,7 | 122,88 |
| H990R | M18x1,5 | 50 | 250 | 0,99 | 132,29 |
| H1400R | M18x1,5 | 40 | 250 | 1,4 | 194,88 |
| H2000R | M18x1,5 | 40 | 250 | 2 | 267,13 |
| H3000R | M18x1,5 | 40 | 250 | 2 | 371,44 |
| H4000R | 3/4" BSP | 80 | 210 | 3,8 | 459,46 |

*We have test bench for checking and charging accumulators,
of different sizes and at different pressures*



ACCUMULATORS CHARGE MACHINE



Toebehoren voor accumulatoren

Accumulator accessories

Accessoires pour accumulateurs

Balg voor accumulator serie HB



Bladder for hydro-pneumatic accumulator-HB series
Vessie pour accumulateurs série HB

| Part n° | THREAD | € |
|---------------|----------|---------------|
| SHB4.5 | 5/8" UNF | 341,93 |
| SHB6 | 5/8" UNF | 454,53 |

Balg voor accumulator serie HTR



Bladder for hydro-pneumatic accumulator-HTR series
Vessie pour accumulateurs série HTR

| Part n° | THREAD | € |
|-----------------|----------|---------------|
| SHTR0.7 | 5/8" UNF | 82,81 |
| SHTR 1.5 | 5/8" UNF | 111,94 |
| SHTR 4.5 | 5/8" UNF | 365,76 |

Membran voor accumulator serie HST



Diaphragm for hydro-pneumatic accumulator-HST series
Membrane pour accumulateurs série HST

| Part n° | € |
|-----------------|---------------|
| MHST0.35 | 49,09 |
| MHST0.7 | 53,43 |
| MHST0.8 | 70,12 |
| MHST1.3 | 84,17 |
| MHST1.5 | 104,18 |
| MHST2.3 | 103,78 |

Ventiel voor accumulator



Valves for accumulators
Valves pour accumulateurs

| Part n° | DESCRIPTION | MAX. PRESSURE (bar) | € |
|----------------|-------------|---------------------|---|
| VALVE R | | | |

Voorvul en controle ventiel



Preload and control valves for accumulators
Valves precharge et contrôle pour accumulateurs

| Part n° | DESCRIPTION | € |
|-------------|-------------|---|
| AR 4 | 0-160 BAR | |
| AR5 | 0-250 BAR | |

Toebehoren voor accumulatoren

Accumulator accessories
Accessoires pour accumulateurs

Veiligheidsventiel



Safety blocks for accumulators (all)
Blocs de sécurité pour accumulateurs (tous)

| Part n° | THREAD | € |
|-------------|----------|---------------|
| SB1 | 1/2" BSP | 704,52 |
| SB1E | 1/2" BSP | 900,22 |
| SB2 | 1/2" BSP | 726,44 |
| SB2E | 1/2" BSP | 931,53 |
| SB3 | 1/2" BSP | 762,45 |
| SB3E | 1/2" BSP | 962,84 |

Bevestigingsbeugel CR



CR type flanges
Brides type CR

| Part n° | FLANGE DIAM. (mm) | € |
|--------------|-------------------|---------------|
| CR114 | 114 | 88,15 |
| CR168 | 168 | 98,84 |
| CR223 | 223 | 110,06 |

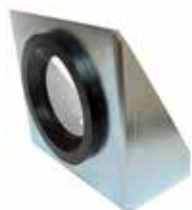
Bevestigingsbeugel CRE



CRE type flanges
Brides type CRE

| Part n° | FLANGE DIAM. (mm) | € |
|---------------|-------------------|--------------|
| CRE70 | 70 | 22,19 |
| CRE92 | 92 | 24,86 |
| CRE115 | 115 | 27,54 |
| CRE125 | 125 | 27,54 |
| CRE138 | 138 | 27,54 |

Bevestigingsbeugel MCR



MCR type flanges
Brides type MCR

| Part n° | FLANGE DIAM. (mm) | € |
|---------------|-------------------|---------------|
| MCR168 | 168 | 137,59 |
| MCR223 | 223 | 162,95 |

Vulset



Testing equipment multi-trademarks
Malettes de contrôle multimarques

| Part n° | DESCRIPTION | € |
|------------------------------------|-------------|---|
| BOSCH / HYDAC / OLAER / FOX | | |

Koelers

Heat exchangers
Échangeurs de chaleur

Koelers serie BC



Oil/air heat exchangers-BC series
Échangeurs huile/air-série BC

| Part n° | THREAD | VOLTAGE (V) | POWER (W) | MIN. FLOW (l/min) | MAX. FLOW (l/min) | CAPACITY (l) | PROTECTION (IP) | € |
|---------------------|--------|-------------|-----------|-------------------|-------------------|--------------|-----------------|-----------------|
| BC21012VDC | 1" | 12 VDC | 70 | 25 | 100 | 1,7 | 64 | 444,21 |
| BC21024VDC | 1" | 24 VDC | 70 | 25 | 100 | 1,7 | 64 | 444,21 |
| BC25012VDC | 1" | 12 VDC | 180 | 25 | 150 | 2 | 68 | 682,24 |
| BC25024VDC | 1" | 24 VDC | 180 | 25 | 150 | 2 | 68 | 632,32 |
| BC250/212VDC | 1" | 12 VDC | 180 | 50 | 200 | 4 | 68 | 750,88 |
| BC250/224VDC | 1" | 24 VDC | 180 | 50 | 200 | 4 | 68 | 750,88 |
| BC39012VDC | 1" | 12 VDC | 240 | 50 | 250 | 5 | 68 | 1.011,71 |
| BC39024VDC | 1" | 24 VDC | 240 | 50 | 250 | 5 | 68 | 1.011,71 |
| BC210230V | 1" | 220 VAC | 70 | 25 | 100 | 1,7 | 64 | 458,43 |
| BC250230V | 1" | 220 VAC | 180 | 25 | 150 | 2 | 68 | 703,46 |
| BC250/2230V | 1" | 220 VAC | 180 | 50 | 200 | 4 | 68 | 908,96 |
| BC390230V | 1" | 220 VAC | 240 | 50 | 250 | 5 | 68 | 1.179,28 |
| BC210400V | 1" | 400 VAC | 70 | 25 | 100 | 1,7 | 64 | 651,29 |
| BC250400V | 1" | 400 VAC | 180 | 25 | 150 | 2 | 68 | 820,44 |
| BC250/2 400V | 1" | 220 VAC | 180 | 50 | 200 | 4 | 68 | 1.090,75 |
| BC390400V | 1" | 400 VAC | 240 | 50 | 250 | 5 | 68 | 1.138,18 |

Koelers serie AP



Oil/air heat exchangers-AP series, alternatif current
Échangeurs huile/air-série AP courant alternatif

| Part n° | THREAD | VOLTAGE (V) | POWER (W) | MIN. FLOW (l/min) | MAX. FLOW (l/min) | CAPACITY (l) | PROTECTION (IP) | € |
|---------------------|--------|-------------|-----------|-------------------|-------------------|--------------|-----------------|-----------------|
| AP260230V | 3/4" | 230 VAC | 55 | 5 | 60 | 1,2 | 44 | 858,97 |
| AP300/2230V | 1" | 230 VAC | 120/160 | 20 | 150 | 3,6 | 44 | 1.436,95 |
| AP300230V | 1" | 230 VAC | 120/160 | 10 | 80 | 2 | 44 | 1.027,92 |
| AP430/2 400V | 1" | 230/400VAC | 230 | 30 | 180 | 5,5 | 55 | 2.190,99 |
| AP430400V | 1" | 230/400VAC | 180 | 30 | 150 | 3,6 | 54 | 1.778,40 |
| AP494400V | 1"1/4 | 230/400VAC | 230 | 30 | 240 | 8 | 55 | 3.012,61 |
| AP680400V | 1"1/2 | 230/400VAC | 560 | 100 | 300 | 15 | 55 | 4.033,41 |

Koelers serie APL



Oil/air heat exchangers-APL series, direct current
Échangeurs huile/air-série APL courant continu

| Part n° | THREAD | VOLTAGE (V) | POWER (W) | MIN. FLOW (l/min) | MAX. FLOW (l/min) | CAPACITY (l) | PROTECTION (IP) | € |
|------------------------|--------|-------------|-----------|-------------------|-------------------|--------------|-----------------|-----------------|
| APL26312VT247 | 3/4" | 12 VDC | 70 | 10 | 90 | 1,7 | 64 | 940,21 |
| APL300/224VT247 | 1" | 24 VDC | 180 | 30 | 180 | 3,6 | 64 | 1.470,74 |
| APL30024VT247 | 1" | 24 VDC | 180 | 20 | 150 | 2 | 64 | 1.182,64 |
| APL430/224VT247 | 1" | 24 VDC | 200 | 30 | 200 | 5,5 | 64 | 1.879,77 |
| APL58024VT247 | 1"1/2 | 24 VDC | 240 | 50 | 250 | 11,5 | 64 | 3.012,61 |

Koelers

Heat exchangers
Échangeurs de chaleur

Thermostaat 36-47° 3/8



Thermostat 36-47° 3/8
Thermostat 36-47° 3/8

| Part n° | THREAD | PROTECTION (IP) | € |
|-------------|--------|-----------------|---------------|
| T247 | 3/8" | 65 | 126,62 |

Thermostaat monocontact



Bimetallic Thermostats Monocontact
Thermostats bimétalliques monocontact

| Part n° | THREAD | MAX. PRESSURE (bar) | € |
|---------------|----------|---------------------|--------------|
| TM45A2 | 3/8" BSP | 200 | 38,47 |
| TM45A3 | M22X1.5 | 200 | 36,64 |
| TM46A1 | 1/2" BSP | 200 | 36,64 |
| TM46A3 | M22X1.5 | 200 | 36,64 |
| TM45A1 | 1/2" BSP | 200 | 30,76 |

Paneel voor koeler BC



Pannels for BC heat exchangers
Panneaux pour échangeurs BC

| Part n° | € |
|---------------------|---------------|
| PANELBC210 | 156,50 |
| PANELBC250 | 267,32 |
| PANELBC250/2 | 331,97 |
| PANELBC390 | 597,54 |

Motor voor koeler BC



Motors for BC heat exchangers
Moteurs pour échangeurs BC

| Part n° | € |
|-------------------------|---------------|
| MOTORVENT210/12 | 192,86 |
| MOTORVENT210/24 | 192,86 |
| MOTORVENT250/12 | 298,77 |
| MOTORVENT250/24 | 298,77 |
| MOTORVENT250/212 | 298,77 |
| MOTORVENT250/224 | 298,77 |
| MOTORVENT390/12 | 355,68 |
| MOTORVENT390/24 | 355,68 |

Koelers

Heat exchangers
Échangeurs de chaleur

Standaard olie-water koeler

Standard oil/water heat exchangers
Echangeur huile/eau standard



| Part n° | THREAD | POWER (W) | MIN. FLOW (l/min) | MAX. FLOW (l/min) | € |
|----------------|--------|-----------|-------------------|-------------------|-----------------|
| MS84P1 | 1" | 4-4,5 KW | 30 | 80 | 518,50 |
| MS84P2 | 1" | 7-8 KW | 20 | 60 | 513,68 |
| MS84P4 | 1" | 14-16KW | 30 | 80 | 588,56 |
| MS84P5 | 1" 1/2 | 14-16 KW | 80 | 130 | 602,04 |
| MS84P6 | 1"1/2 | 17-20 kW | 40 | 90 | 856,63 |
| MS134P2 | 1" 1/2 | 33-37 KW | 40 | 130 | 1.162,14 |
| MS134P4 | 1" 1/2 | 48-56 KW | 80 | 250 | 1.368,81 |

*KW=50°C, 46 cSt, H2O=15°C / *KW=50°C, 46 cSt, H2O=15°C / *KW=50°C, 46 cSt, H2O=15°C

Marine olie-water koeler

Marine oil/water heat exchangers
Echangeur huile/eau marine



| Part n° | THREAD | POWER (W) | MIN. FLOW (l/min) | MAX. FLOW (l/min) | € |
|-----------------|--------|-----------|-------------------|-------------------|-----------------|
| MS84/2B2 | 1" | 7-8 kW | 20 | 60 | 980,93 |
| MS84/2B3 | 1"1/2 | 7-8 KW | 50 | 100 | 980,93 |
| MS84/2B4 | 1" | 14-16 kW | 30 | 80 | 1.145,66 |
| MS84/2B5 | 1" 1/2 | 14-16 kW | 80 | 130 | 1.145,66 |
| MS134B2 | 1" 1/2 | 33-37 kW | 40 | 130 | 2.261,38 |
| MS134B4 | 1" 1/2 | 48-56 kW | 80 | 250 | 2.833,46 |

*KW=50°C, 46 cSt, H2O=15°C / *KW=50°C, 46 cSt, H2O=15°C / *KW=50°C, 46 cSt, H2O=15°C