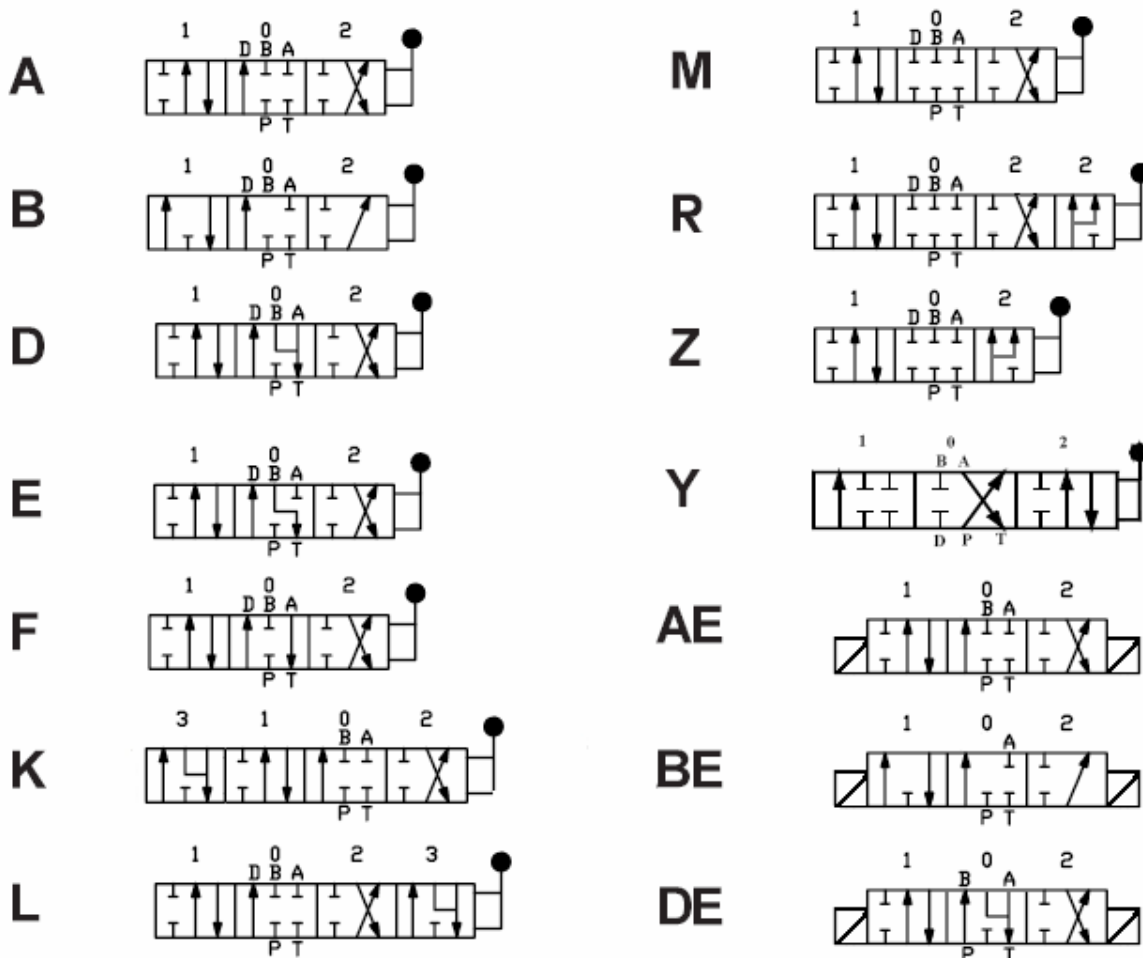


Stuurventielen monoblok

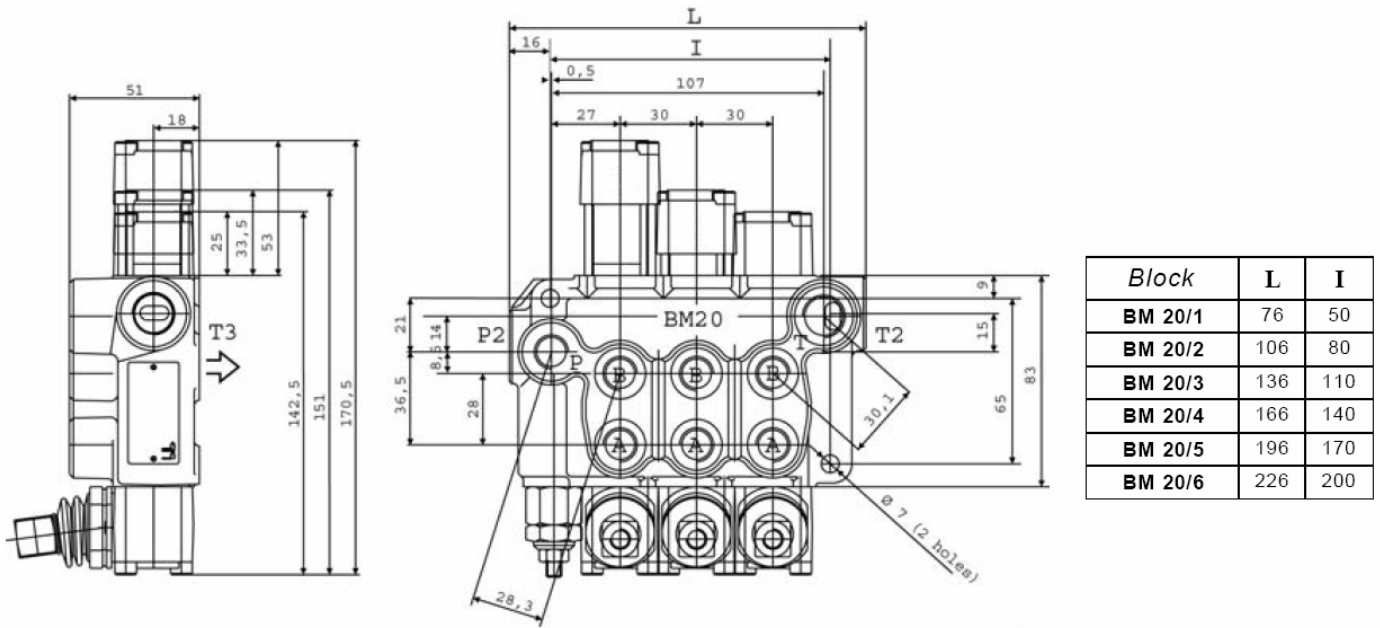
| Type | Druk (Bar) | Debiet max (L/min) | Pres. Max. (Bar) | Drukverschil P - T (Bar) | Aantal secties Max. |
|---------------|------------|--------------------|------------------|--------------------------|---------------------|
| BM 20 | 300 | 25 | 80 | 5 | 6 |
| BM 30 | 250 | 45 | 80 | 6 | 1 |
| BM 30 Special | 250 | 45 | | | 1 |
| BM 40 | 320 | 45 | 80 | 5 | 7 |
| BM 70 | 300 | 90 | 80 | | 6 |
| BM 150 | 300 | 180 | 80 | 4 | 1 |
| BF 20 | 320 | 25 | 80 | 6 | 6 |
| BF 40 | 320 | 45 | 80 | 6 | 6 |
| BF 401 | 300 | 180 | 80 | | 1 |
| BF 70 | 300 | 90 | 80 | 3 | 6 |
| BF 701 | | | | | 1 |

Soort schuiven





Type BM 20

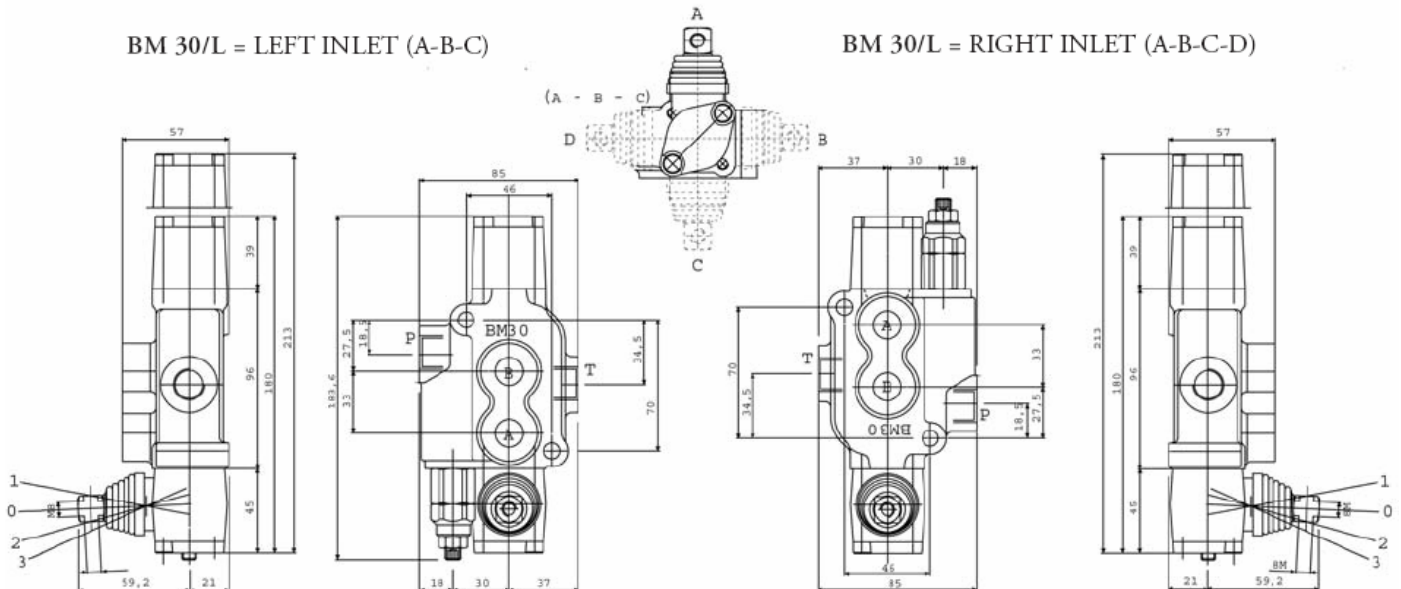


| l/min | Druk (bar) | | Aansl. BSP | | Overdrukventiel instelling (bar) | Aantal secties |
|-------|------------|----|------------|-----------|--------------------------------------|----------------|
| | A, B, P | T | A, B, P | T, P2, T2 | | |
| 25 | 320 | 80 | 1/4" | 3/8" | 10-90 70/140 Standaard 100-250 | 1 - 6 |

Type BM 30

BM 30/L = LEFT INLET (A-B-C)

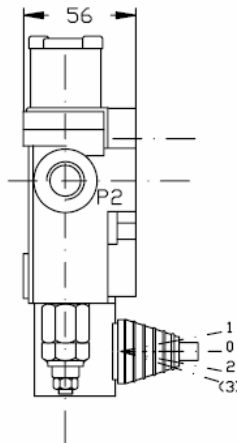
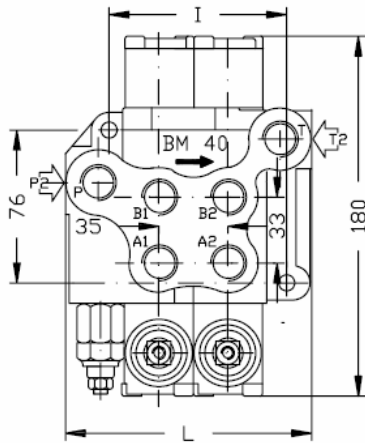
BM 30/L = RIGHT INLET (A-B-C-D)



| l/min | Druk (bar) | | Aansl. BSP | | Overdrukventiel instelling (bar) | Aantal secties |
|-------|------------|----|------------|--------|--------------------------------------|----------------|
| | A, B, P | T | A, B, P | P2, T2 | | |
| 45 | 320 | 80 | 3/8" | 3/8" | 10-90 70/140 Standaard 100-250 | 1 |



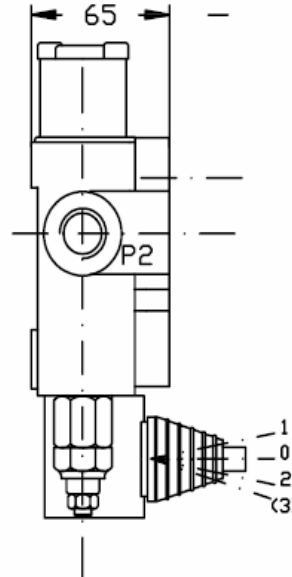
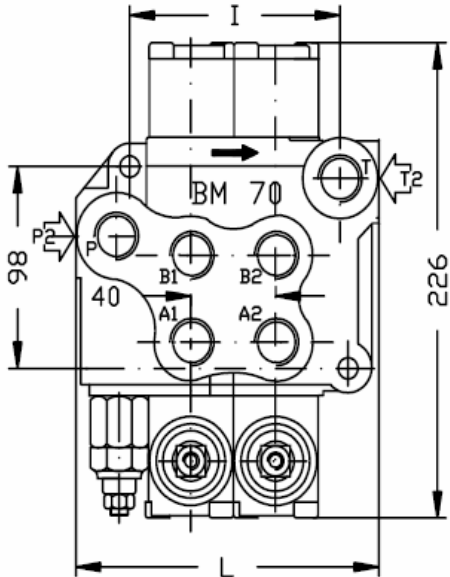
Type BM 40



| Block | L | I |
|----------------|-----|-----|
| BM 40/1 | 90 | 55 |
| BM 40/2 | 125 | 90 |
| BM 40/3 | 160 | 125 |
| BM 40/4 | 195 | 160 |
| BM 40/5 | 230 | 195 |
| BM 40/6 | 285 | 230 |

| l/min | Druk (bar) | | Aansl. BSP | | Overdrukventiel instelling (bar) | Aantal secties |
|-------|------------|----|------------|--------|--------------------------------------|----------------|
| | A, B, P | T | A, B, P, T | P2, T2 | | |
| 45 | 320 | 80 | 3/8" | 1/2" | 10-90 70/140 Standaard 100-250 | 1 - 7 |

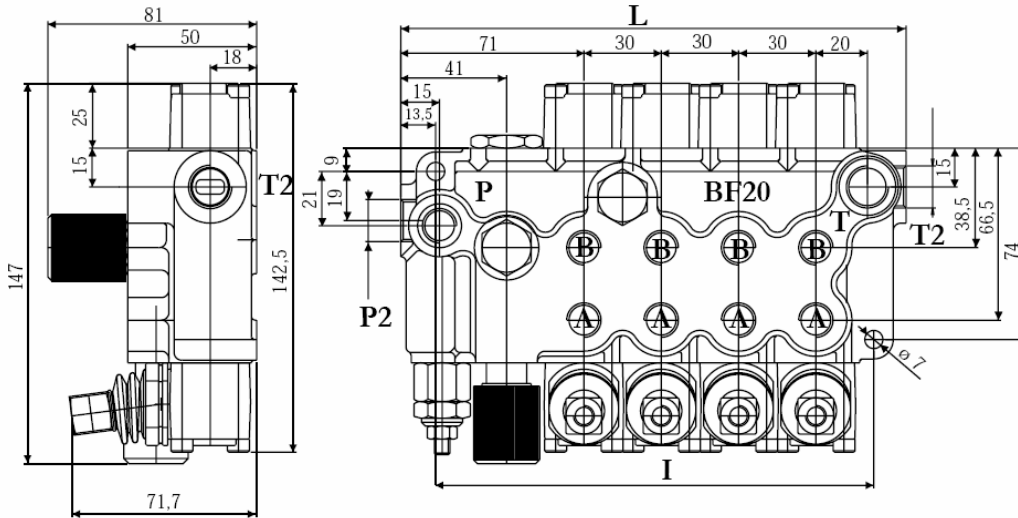
Type BM 70



| Block | L | I |
|-----------------|-----|-----|
| B M 70/1 | 117 | 66 |
| B M 70/2 | 157 | 106 |
| B M 70/3 | 197 | 146 |
| B M 70/4 | 237 | 186 |
| B M 70/5 | 277 | 226 |
| B M 70/6 | 317 | 266 |

| l/min | Druk (bar) | | Aansl. BSP | | Overdrukventiel instelling (bar) | Aantal secties |
|-------|------------|----|------------|--------|---|----------------|
| | A, B, P | T | A, B, P, T | P2, T2 | | |
| 90 | 320 | 80 | 1/2" | 3/4" | 10-90 70/140 Standaard 150-300 100-250 | 1 - 6 |

Type BF 20



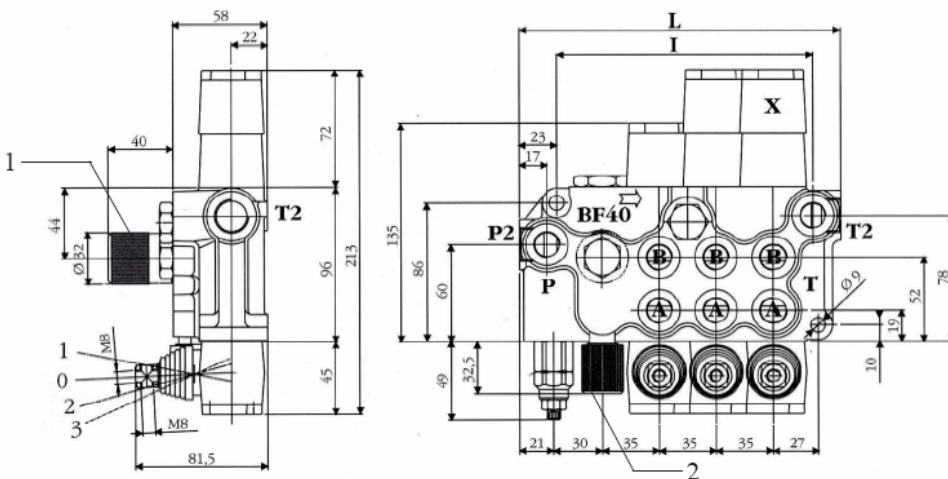
Ausführungen:

- 1 Mengenregler stirnseitig
- 2 ... Mengenregler anschlussseitig

| Block | L | I |
|---------|-----|-----|
| BF 20/1 | 76 | 50 |
| BF 20/2 | 106 | 80 |
| BF 20/3 | 136 | 110 |
| BF 20/4 | 166 | 140 |
| BF 20/5 | 196 | 170 |

| l/min | Druk (bar) | | Aansl. BSP | | Overdrukventiel instelling (bar) | Aantal secties |
|-------|------------|----|------------|--------|--------------------------------------|----------------|
| | A, B, P | T | A, B, P, T | P2, T2 | | |
| 25 | 320 | 80 | 3/4" | 1" | 10-90 70/140 Standaard 100-250 | 6 |

Type BF 40



Ausführungen:

- 1 Mengenregler stirnseitig
- 2 ... Mengenregler anschlussseitig

| Block | L | I |
|---------|-----|-----|
| BF 40/1 | 125 | 90 |
| BF 40/2 | 160 | 125 |
| BF 40/3 | 195 | 160 |
| BF 40/4 | 230 | 195 |
| BF 40/5 | 265 | 230 |
| BF 40/6 | 300 | 265 |

| l/min | Druk (bar) | | Aansl. BSP | | Overdrukventiel instelling (bar) | Aantal secties |
|-------|------------|----|------------|--------|--------------------------------------|----------------|
| | A, B, P | T | A, B, P, T | P2, T2 | | |
| 45 | 320 | 80 | 3/8" | 1/2" | 10-90 70/140 Standaard 100-250 | 6 |

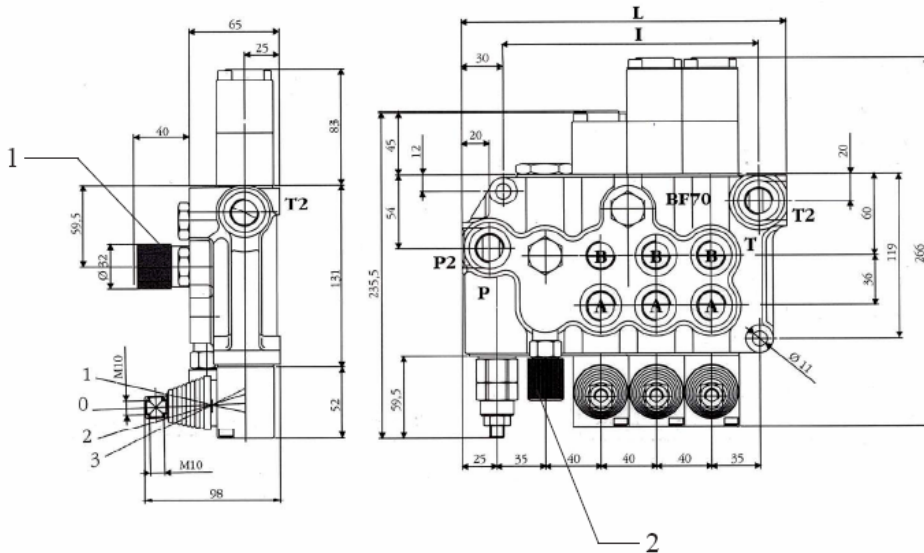


Type BF401



| l/min | Druk (bar) | | Aansl. BSP | | Overdrukventiel instelling (bar) | Aantal secties |
|-------|------------|----|------------|--------|-------------------------------------|----------------|
| | A, B, P | T | A, B, P, T | P2, T2 | | |
| 180 | 320 | 80 | 3/4" | 1" | 10-90 70/140 Standard 100-250 | 1 |

Type BF 70



Ausführungen:

- 1 Mengenregeler stinmseitig
- 2 ... Mengenregler anschlussseitig

| Block | L | I |
|----------------|-----|-----|
| BF 70/1 | 157 | 106 |
| BF 70/2 | 197 | 146 |
| BF 70/3 | 237 | 186 |
| BF 70/4 | 277 | 226 |
| BF 70/5 | 317 | 266 |

| l/min | Druk (bar) | | Aansl. BSP | | Instelbereik Overdrukventiel (bar) | Aantal secties |
|-------|------------|----|------------|--------|--------------------------------------|----------------|
| | A, B, P | T | A, B, P, T | P2, T2 | | |
| 90 | 320 | 80 | 1/2" | 3/4" | 10-90 70/140 Standaard 100-250 | 6 |



Type BF701



| l/min | Druk (bar) | | Aansl. BSP | | Overdrukventiel intelling (bar) | Aantal secties |
|-------|------------|----|------------|--------|-------------------------------------|----------------|
| | A, B, P | T | A, B, P, T | P2, T2 | | |
| 45 | 300 | 80 | 1/2" | 3/4" | 10-90 70/140 Standard 100-250 | 1 |